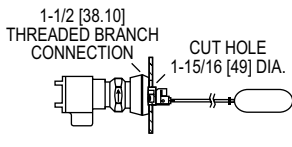
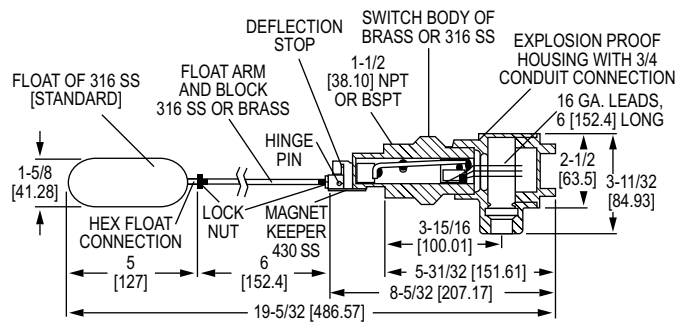
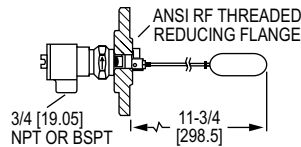


FLOTECT® FLOAT SWITCH

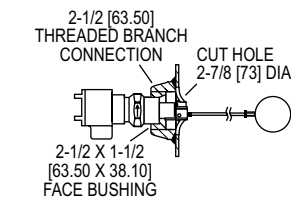
Magnetically Operated Switch, Leak Proof Body, Explosion-Proof



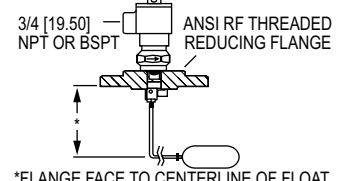
Standard installation



Horizontal, flange installation



Horizontal, 2-1/2 threaded branch connection installation with optional 2-1/2 [64] spherical float



Vertical, flange installation



The Series L4 Flotect® Float Switch is a rugged and reliable float switch which operates automatically to indicate tank level.

FEATURES/BENEFITS

- Unique magnetically actuated switching design gives superior performance
- No bellows, springs, or seals to fail
- Free-swinging float attracts a magnet within the solid metal switch body, actuating a snap switch by means of a simple lever arm
- Float arm hinge design limits the arm angle to prevent vertical hang up

APPLICATIONS

- Direct pump control for maintaining level
- Automatic tank dump operations
- Level control
- Valve control
- Level alarm in sumps, scrubber systems, hydro-pneumatic tanks, boilers, and water/wastewater treatment processes

OPTIONS	
To order add suffix:	Description
-D	DPDT contacts
-NH	No housing
-MV	Gold plated contacts for dry circuits (see electrical rating in specifications, no listings or approvals)
-MT	High temperature rated 400°F (204°C) (see electrical rating in specifications, no listings or approvals)
-TRI	Time delay relay with 2 SPDT contacts, adjustable from 0-1 to 0-31 minutes (increasing flow)
-TRD	Time delay relay with 2 SPDT contacts, adjustable from 0-1 to 0-31 minutes (decreasing flow) (no listings or approvals)
-316	*316 SS magnet keeper option to replace standard 430 SS
-AT	ATEX compliant construction
-IEC	IECEx certified construction
-TOP	Top mounted for vertical flange installation [distance from flange face to centerline of float to be specified, 20" (508 mm) max]
-50	Optional float (2-1/2" spherical) 304 SS rated 50 psig (3.5 bar) and 0.5 min. s.g.
-150	Optional float (2-1/2" spherical) 316 SS rated 150 psig (10.3 bar) and 0.7 min. s.g.
-300	Optional float (2-1/2" spherical) 304 SS rated 300 psig (20.7 bar) and 0.7 min. s.g.
-BSPT	1-1/2" female BSPT process connection

*316 SS body and float with 430 SS magnet keeper (wetted part). Consult factory for price and availability of fittings for L4 installation. Threaded branch connection, bushings, and flanges are available in a variety of sizes and materials.

SPECIFICATIONS

Service: Liquids compatible with wetted materials.
Wetted Materials: Float and Rod: 316 SS; Body: Brass or 316 SS standard; Magnet Keeper: 430 SS standard, 316 SS or nickel optional.
Temperature Limits: 4 to 275°F (-20 to 135°C) standard, MT high temperature option 400°F (205°C) [MT option not UL, CSA, ATEX or IECEx]. ATEX and IECEx options: Ambient temperature -4 to 163°F (-20 to 73°C); Process temperature -4 to 163°F (-20 to 73°C).
Pressure Limit: Brass body 1000 psig (69 bar), 316 SS body 2000 psig (138 bar). Standard float rated 100 psig (6.9 bar). For other floats, see options.
Enclosure Rating: Weatherproof and Explosion-proof. **Listed with UL and CSA for Class I, Groups C and D; Class II, Groups E, F, and G. ATEX (CE) 2813 (Ex) II 2 G Ex db IIB T6 Gb -20°C≤Tamb≤73°C. -20°C≤Process Temps≤73°C.
 EU-Type Certificate No.: KEMA 03 ATEX 2383.
 ATEX Standards: EN 60079-0:2012+A11:2013.
 IECEx Certified: For Ex db IIB T6 Gb -20°C≤Tamb≤73°C. -20°C≤Process Temps≤73°C.
 IECEx Certificate of Conformity: IECEx DEK 11.0071.
 IECEx Standards: IEC 60079-0:2011; IEC 60079-1:2014.
Switch Type: SPDT snap switch standard, DPDT snap switch optional.
Electrical Rating: UL, FM, ATEX and IECEx models: 10 A @ 125/250 VAC (V~). CSA models: 5 A @ 125/250 VAC (V~); 5 A res., 3 A ind. @ 30 VDC (V---). MV option: 1 A @ 125 VAC (V~); 1 A res., .5 A ind. @ 30 VDC (V---). MT option: 5 A @ 125/250 VAC (V~). [MT and MV option not UL, CSA, FM, ATEX or IECEx].
Electrical Connections: UL and CSA models: 16 AWG, 6" (152 mm) long. ATEX and IECEx unit: terminal block.
Conduit Connection: 3/4" (19.05 mm) female NPT standard or M25 with -BSPT option.
Process Connection: 1-1/2" (38.10 mm) male NPT or 1-1/2" (38.10 mm) male BSPT standard, 2-1/2" (63.50 mm) male NPT or 2-1/2" (63.50 mm) male BSPT standard optional floats.
Mounting Orientation: Horizontal installation standard, optional vertical top mount.
Dead Band: 3/4" (19 mm) for standard float.
Specific Gravity: 0.7 minimum with standard float. For other floats see model chart.
Weight: 4 lb 9 oz (2.07 kg).
Agency Approvals: ATEX, CE, CSA, FM, IECEx, UL**.

**No housing option (-NH) has no approvals.

MODEL CHART

Model	Description	Process Connection
L4	Brass body, side wall mounting	NPT
L4-NH**	Brass body, side wall mounting, no housing	NPT
L4-SS	316 SS* body, sidewall mounting	NPT
L4-SS-NH**	316 SS* body, sidewall mounting, no housing	NPT
L4-BSPT	Brass body, side wall mounting	BSPT
L4-SS-BSPT	316 SS* body, sidewall mounting	BSPT

*316 SS body and float with 430 SS magnet keeper (wetted part). **No housing option (-NH) has no approvals.

USA: California Proposition 65

⚠WARNING: Cancer and Reproductive Harm - www.P65Warnings.ca.gov